



**Power  
Technic**  
LIGHTING INC.

Peonytower Galeria de Binondo, Numancia Street, Binodo Manila, Philippine  
Tel: 632-2436946, 632-2155144, 632-9942152, Fax: 632-2458129  
Email: [phpowertechnic@yahoo.com](mailto:phpowertechnic@yahoo.com)



*Simply Plug and Save*

**GYI.**<sup>TM</sup>  
Give You Light





# T5 Electronic Fluorescent Lighting Fixture



Item/Code	Watts	Volts	Power Factor	Dimension(mm)	Carton Size(mm)	Quantity
T5 Assembly Fixture	35	110 / 220	0.95	1470x22x34	1530x210x260	50PCS
	28			1170x22x34	1230x210x260	
	24			1021x22x34	1081x210x260	
	21			870x22x34	930x210x260	
	18			734x22x34	794x210x260	
	14			570x22x34	630x210x260	
	8			310x22x34	370x210x260	



Item/Code	Watts	Volts	Power Factor	Dimension(mm)	Carton Size(mm)	Quantity
T5 with PC Cover Fixture	35	110 / 220	0.95	1470x28x39	1530x200x270	40PCS
	28			1170x28x39	1230x200x270	
	24			1021x28x39	1081x200x270	
	21			870x28x39	930x200x270	
	18			734x28x39	794x200x270	
	14			570x28x39	630x200x270	
	8			310x28x39	370x200x270	



Item/Code	Watts	Volts	Power Factor	Dimension(mm)	Carton Size(mm)	Quantity
T5 with Reflector Fixture	35	110 / 220	0.95	1470x46x36	1530x210x260	40PCS
	28			1170x46x36	1230x210x260	
	21			870x46x36	930x210x260	
	14			570x46x36	630x210x260	
	8			310x46x36	370x210x260	



Item/Code	Watts	Volts	Power Factor	Dimension(mm)	Carton Size(mm)	Quantity
T5 Pastic Fixtue	35	110 / 220	0.95	1470x28x39	1530x210x260	40PCS
	28			1170x28x39	1230x210x260	
	21			870x28x39	930x210x260	
	14			570x28x39	630x210x260	
	8			310x28x39	370x210x260	



Item/Code	Watts	Volts	Power Factor	Dimension(mm)	Carton Size(mm)	Quantity
T5 Assembly Fixture	35	110 / 220	0.95	1470x24x36	1530x210x260	50PCS
	28			1170x24x36	1230x210x260	
	21			870x24x36	930x210x260	
	14			570x24x36	630x210x260	
	8			310x24x36	370x210x260	



## T 8 to T5 Fluorescent Converter



OG-T1503

Item/Code	Watts	Volts	Power Factor	Dimension (mm)	Carton Size (mm)	Quantity
T1503-35	35	110	0.95	1510 x 22 x 35	1530 x 210 x 260	50Pcs
T1503-28	28	/		1210 x 22 x 35	1230 x 210 x 260	
T1503-21	21	220		889 x 22 x 35	930 x 210 x 260	
T1503-14	14			589 x 22 x 35	630 x 210 x 260	



OG-T1808

Item/Code	Watts	Volts	Power Factor	Dimension (mm)	Carton Size (mm)	Quantity
T1808-35	35	110	0.95	1510 x 22 x 35	1530 x 210 x 260	50Pcs
T1808-28	28	/		1210 x 22 x 35	1230 x 210 x 260	
T1808-21	21	220		889 x 22 x 35	930 x 210 x 260	
T1808-14	14			589 x 22 x 35	630 x 210 x 260	



OG-T1504A

Item/Code	Watts	Volts	Power Factor	Dimension (mm)	Carton Size (mm)	Quantity
T1504A-28	28	110	0.95	1210 x 22 x 39	1230 x 210 x 260	40 Pcs
T1504A-21	21	/		889 x 22 x 39	930 x 210 x 260	
T1504A-14	14	220		589 x 22 x 39	630 x 210 x 260	



OG-T1520C

Item/Code	Watts	Volts	Power Factor	Dimension (mm)	Carton Size (mm)	Quantity
T1520C-28	28	110	0.95	1210 x 22 x 39	1230 x 210 x 260	40 Pcs
T1520C-21	21	/		889 x 22 x 39	930 x 210 x 260	
T1520C-14	14	220		589 x 22 x 39	630 x 210 x 260	



OG-T1808Ac

Item/Code	Watts	Volts	Power Factor	Dimension (mm)	Carton Size (mm)	Quantity
T180AC-28	28	110	0.95	1210 x 22 x 39	1230 x 210 x 260	40 Pcs
T180AC-21	21	/		889 x 22 x 39	930 x 210 x 260	
T180AC-14	14	220		589 x 22 x 39	630 x 210 x 260	



# T5 Electronic Industrial Lighting



OG-2502A2

Item/Code	Watts	Volts	Power Factor	Dimension (mm)	Carton Size (mm)	Quantity
Box Type with Reflector	2 x 28	110	0.95	1175 x 105 x 60	1192 x 128 x 135	10PCS
	2 x 21	/		875 x 105 x 60	892 x 128 x 135	
	2 Tube	2 x 14		220	575 x 105 x 60	



OG-2502A1

Item/Code	Watts	Volts	Power Factor	Dimension (mm)	Carton Size (mm)	Quantity
Box Type with Reflector	28	110	0.95	1175 x 105 x 60	1192 x 128 x 135	10PCS
	21	/		875 x 105 x 60	892 x 128 x 135	
	14	220		575 x 105 x 60	592 x 128 x 135	



OG-2502-2

Item/Code	Watts	Volts	Power Factor	Dimension (mm)	Carton Size (mm)	Quantity
Box Type with Reflector	2 X 28	110 / 220	≥0.95	1175 x 70 x 60	1195 x 128 x 120	10PES



OG-2502-1

Item/Code	Watts	Volts	Power Factor	Dimension (mm)	Carton Size (mm)	Quantity
Box Type	28	110 / 220	≥0.95	1175 x 40 x 60	1195 x 128 x 120	10PES



OG-2502-B2

Item/Code	Watts	Volts	Power Factor	Dimension (mm)	Carton Size (mm)	Quantity
OG-2502-B2	2X 28	110 / 220	≥0.95	1175 x 115 x 70	1195 x 135 x 128	10PES



# T5 Electronic Industrial Lighting



OG-2502-B1

Item/Code	Watt	Volts	Power Factor	Dimension(mm)	Carton Size(mm)	Quantity
OG-2502-B1	28	220V	≥0.95	1180 x 65 x 115	1192 x 128 x 135	10PCS



OG-2501A

Item/Code	Watt	Volts	Power Factor	Dimension(mm)	Carton Size(mm)	Quantity
OG-2501-A	2 X 28	220V	≥0.95	1175 x 115x 58	1230 x 210 x 260	10PCS



OG-2503

Item/Code	Watt	Volts	Power Factor	Dimension(mm)	Carton Size(mm)	Quantity
OG-2503	2 X 28	220V	≥0.95	1175 x 67 x 50	1230 x 210 x 260	10PCS



OG-2506B

Item/Code	Watt	Volts	Power Factor	Dimension(mm)	Carton Size(mm)	Quantity
OG-2506B	2 X 28	220V	≥0.95	1175 x 135 x 60	1230 x 210 x 260	10PCS



OG-2501B-2

Item/Code	Watt	Volts	Power Factor	Dimension(mm)	Carton Size(mm)	Quantity
OG-2501B -2	2 X 28	220V	≥0.95	1180 x 65 x 115	1192 x 128 x 135	10PCS



# T 5 Electronic Grill Light Tray



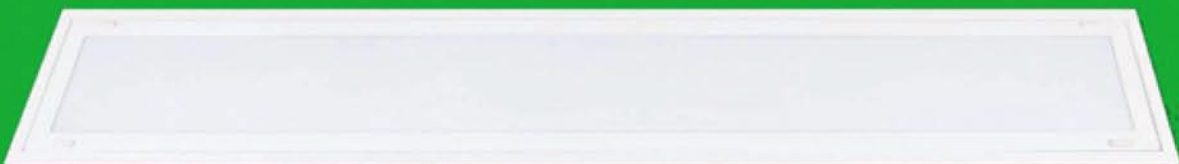
4 x 28W Louver Type



3 x 28W Louver Type



2 x 28W Louver Type



1 x 28W Louver Type

Item /Code	Watt	Voltage	Power Factor	Domension(mm)	Carton Size(mm)	Quantity
OG-Q428	4x 28	110	≥0.95	1200 x 600 x 50	1230 x 660 x 120	2 PCS
OG-Q328	3x28			1200 x 600 x 50	1230 x 660 x 120	
OG-Q228	2 x 28	/		1200 x 300 x 50	1230 x 350 x 120	
OG-Q128	1 x 28	220		1200 x 190 x 50	1230 x 220 x 120	



# T 5 Electronic Grill Light Tray



3 x 14W Surface



3 x 14W Louver Type



3 x 14W Louver Type



3 x 14W Louver Type



2 x 14W Louver Type



3 x 18 W T8 Louver Type

Item /Code	Watt	Voltage	Power Factor	Domension(mm)	Carton Size(mm)	Quantity
OG-Q314	3 x 14	110	≥0.95	600 x 600 x 50	660 x 660 x 120	2PCS
OG-Q214	2 x 14	/		600 x 300 x 50	630 x 350 x 120	
OG-Q314-J	3 x 14	/		600 x 600 x 75	660 x 630 x 170	
OG-Q318	3 x 14	220		600 x 600 x 75	660 x 630 x 170	



# Weather Proof Fluorescent Fixture



OG-S5114/S5128

Item Code	Watt	Volts(V)	Power Factor	Dimension(mm)	Carton Size(mm)	Quantity
OG-S5114	1X14	110V	≥0.95	609x71x90	630x230x245	12PCS
OG-S5128	1X28	220V		1210x71x90		



OG-S5214/S5228

Item Code	Watt	Volts(V)	Power Factor	Dimension(mm)	Carton Size(mm)	Quantity
S5214	2X14	110	≥0.95	609x99x90	630x215x300	10PCS
S5228	2X28	220		1210x99x90		



OG-S9118/S9136

Item Code	Watt	Volts(V)	Power Factor	Dimension(mm)	Carton Size(mm)	Quantity
OG-S9118	1x18	110	≥0.95	670x102x108	680x275x265	12PCS
OG-S9136	1x36	220		1270x102x108		



OG-S9218/S9236

Item Code	Watt	Volts(V)	Power Factor	Dimension(mm)	Carton Size(mm)	Quantity
OG-S9218	2x18	110	≥0.95	670x167x108	680x275x330	10PCS
OG-S9236	2x36	220		1270x162x108		





# T5 Office Light Fixture



YN-8801  
2x28W  
1200x250x66mm



YN-8802  
3x28W  
1200x300x66mm



YN-8803  
1x28W  
1200x100x66mm



YN-8805  
2x28W  
1250x250x51mm



YN-8806  
3x28W  
1200x265x70mm



YN-8807  
2x28W  
1200x180x70mm



YN-8808  
1x28W  
1200x100x70mm



YN-8809  
2x28W  
1210x220x60mm



# T5 Office Light Fixture



YN-8821  
1x28W  
1200x70x80mm



YN-8822  
1x28W  
1200x70x40mm



YN-8823  
2x28W  
1200x180x80mm



YN-8826  
2x28W  
1195x155x60mm



YN-8827  
2x28W  
1195x255x60mm



YN-8829  
2x28W  
1200x250x55mm



YN-8831  
2x28W  
1200x200x38mm

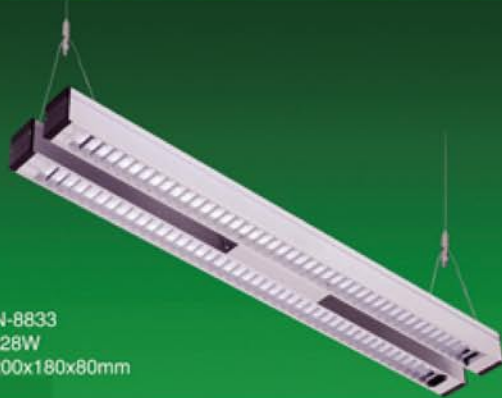


YN-8832  
2x28W  
1195x155x60mm

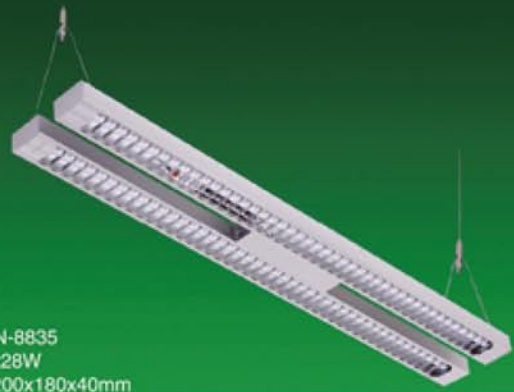


**GYL**  
Give You Light

# T5 Office Light Fixture



YN-8833  
2x28W  
1200x180x80mm



YN-8835  
2x28W  
1200x180x40mm



YN-8836  
1x28W  
1200x70x80mm



YN-8838  
2x28W  
1195x155x60mm



YN-8850  
1x28W  
1200x70x40mm



YN-8875  
2x28W  
1200x180x80mm



YN-8876  
2x28W  
1200x180x80mm

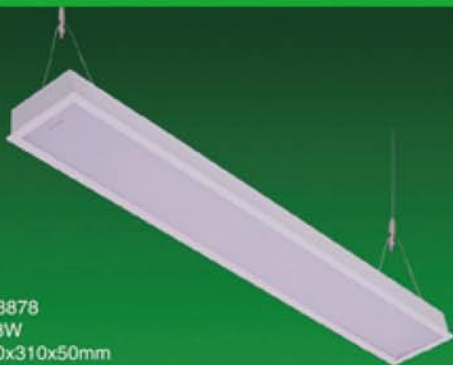


YN-8877  
1x28W  
1200x70x80mm



# T5 Office Light Fixture

YN-8878  
2x28W  
1210x310x50mm



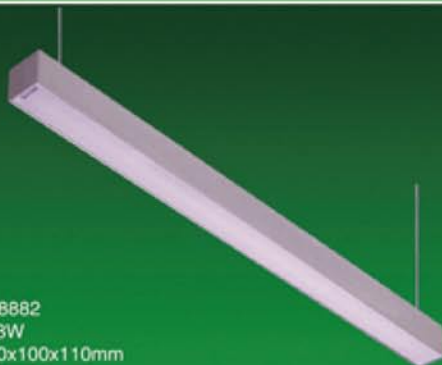
YN-8879  
2x28W  
1560x129x60mm



YN-8880  
2x28W  
1200x100x80mm



YN-8882  
2x28W  
1200x100x110mm



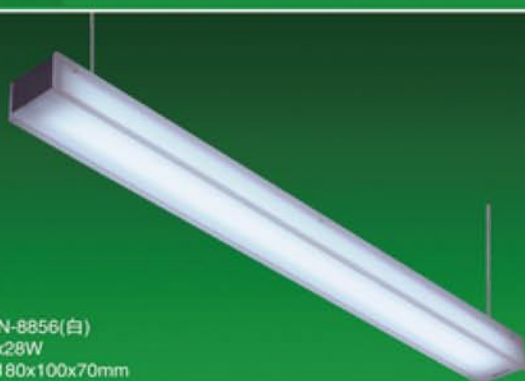
YN-8852  
2x28W+2x3W  
1600x200x38mm



YN-8881  
3x28W  
1200x300x70mm



YN-8856(白)  
2x28W  
1180x100x70mm



紫  
兰  
橙  
白



型号: YN-8856  
功率: 1x28W  
尺寸: 1180x60x70mm



# LED Spot Lighting



YN-TH1101  
1x1W  
φ68x30mm  
φ55mm



YN-TH3101  
3x1W  
φ85x45mm  
φ75mm



YN-TH5101  
5x1W  
φ100x70mm  
φ92mm



YN-TH1201  
12x1W  
φ138x30mm  
φ120mm



YN-TH1501  
15x1W  
φ160x120mm  
φ138mm



YN-TH1801  
18x1W  
φ160x125mm  
φ138mm



YN-TH5101  
5x1W  
φ110x80mm  
φ90mm



YN-TH6101  
6x1W  
φ145x80mm  
φ130mm



YN-TH7101  
7x1W  
φ145x80mm  
φ120mm



# LED Spot Lighting



**YN-TH6101**  
6x1W  
φ105x70mm  
φ92mm



**YN-TH7101**  
7x1W  
φ105x70mm  
φ93mm



**YN-TH9101**  
9x1W  
φ135x70mm  
φ120mm



**YN-TD1101**  
1x1W  
φ102x80mm  
φ80mm



**YN-TD3101**  
3x1W  
φ110x80mm  
φ90mm



**YN-TH3102**  
3x1W  
φ110x80mm  
φ90mm



**YN-TD9101**  
9x1W  
φ150x80mm  
φ110mm



**YN-QP3101**  
3x1W  
φ65x110mm



**YN-QP3102**  
3x1W  
φ65x110mm



**GYL**  
Give You Light

# T8 T5 LED Fluorescent Fixture



**OG-LED-1681**

Item/Code	Watts	Volts	Power Factor	Dimension(mm)	LEDS	LED Lm/W
OG-LED-1681	8	110~220V	> 0.95	φ16 x 548.5	SMD3328 60 Pcs	120
	16			φ16 x 1148.5	SMD3328 120 Pcs	120



**OG-LED-189S**

Item/Code	Watts	Volts	Power Factor	Dimension(mm)	LEDS	LED Lm/W
OG-LED-189S	9	110~220V	> 0.95	φ 26 x 600	SMD5252 144 Pcs	120
	18			φ 26 x 1200	SMD5252 288 Pcs	120



**OG-LED-T8-1681**

Item/Code	Watts	Volts	Power Factor	Dimension(mm)	LEDS	LED Lm/W
OG-LED-T8-1681	9	110~220V	> 0.95	φ 26 x 600	SMD3325 120Pcs	120
	18			φ 26 x 1200	SMD3325 120 Pcs	120



**OG-LED-T5 ASSEMBLY**

Item / Code	Watt	Volts(V)	Power Factor	Dimension(mm)	Carton Size(mm)	Quantity
T5-LED floursent light (Separated Ballst)	16	110 / 220	0.95C	1170x24x36	1220x170x200	25PCS
	13			870x24x36	915x170x200	
	8			570x24x36	620x170x200	



**OG-LED-T85  
CONVERTER**

Item / Code	Watt	Volts(V)	Power Factor	Dimension(mm)	Carton Size(mm)	Quantity
T8 to T5 Led Converter (Separated Ballast)	16	110 / 220	0.95C	1210x 22x35	1220x170x200	25PCS
	13			889 x 22 x35	915x170x200	
	8			589 x 22 x 35	620x170x200	



# T5 Electronic Ballast Series



OG-Z031

Model	Watt	Volts(V)	Power Factor	Dimension(mm)	Thc	Carton Size(mm)
OG-Z031	35	220	≥0.95	210x32 x28	35%	500x240x180
	28					
	21					
	14					



OG-Z1156

Model	Watt	Volts(V)	Power Factor	Dimension(mm)	Thc	Carton Size(mm)
OG-Z1156	2x28	220	≥0.95	260x32 x30	35%	500x240x180
	2x21					
	2x14					



OG-Z1408

Model	Watt	Volts(V)	Power Factor	Dimension(mm)	Thc	Carton Size(mm)
OG-Z1408	2x28	220	≥0.95	250x30 x26	35%	500x240x180
	2x21					
	2x14					
	2x8					



OG-Z1522

Model	Watt	Volts(V)	Power Factor	Dimension(mm)	Thc	Carton Size(mm)
OG-Z1522	1x28	220	≥0.95	175x35x25	35%	500x240x180
	1x21					
	1x14					
	1x8					



OG-Z496

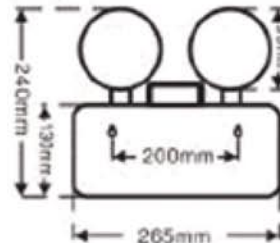
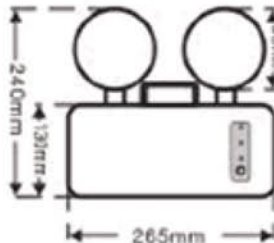
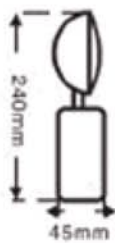
Model	Watt	Volts(V)	Power Factor	Dimension(mm)	Thc	Carton Size(mm)
OG-Z496	1x35	220	≥0.95	248x22 x22	35%	500x240x180
	1x28					
	1x21					
	1x14					





**HAI DIAN**  
**Keji**

**LED ENMERGENCY LIGHT**



**产品主要技术指标 THCHBICAL SPECIFICATION**

认证型号 MODEL	功率 POWER	主电电压 INPUT VOLTAGE	应急时间 EMERGENCY TIME	充电时间 CHARGING TIME	应急转换时间 THROW-OVER TIME
HD-ZFZD-E3WA-02	3W	AC220V	≥90min	< 24h	≤ 1sec

Brand new patented design, plastic spray metal shell, aesthetic.

Centralized control of Microprocessor technology.

Unique constant flow constant pressure technology promotes battery life effectively

Intelligent automatic breakdown detection, stable performance.

New, LED light source saves power long life.

Each model has the authorization of independent fire type-approved certificate and matches with a one-on-one testing report.



## Specification of Separated Ballast on Energy Saving Light

Lamp current wave coefficient( $<1.7$ ):

The lifetime of fluorescent tube depends on the cathodal emissivities. The lamp current wave coefficient is one very important indicator to the cathodal emissivities. The national standard is less 1.7. If the value is the more, the hurter, the shorter of lifetime and making the lamp flashing.

Peheating start via frenquency conversion: (Switch lifetime is more 20,000 times):

Heated start via frenquency conversion via USA IR Chipset, it is effective to avoid the lamp impact from the instant current. It makes the lamp switch lifetime to be more 20,000 times(arrount 5 years).

Anormal defencive function(Sort circuit, open circuit, overvoltage, overcurrent, EOL function) :

During the lamp working, it is possible to be happened such as air leakage, no activation, no start, overcurrent in the main circuit. To protect the ballast, we set the Anormal defencive function. So that the ballast can be self-closed. If not, the ballast will be destroyed.

We set other defencive function to some waves pollution, such as other harmonic waves instant overvoltage, high energy pulse, overcurrent of lightning stroke.

Wide input voltage(AC150-265V):

Where the voltage change is much, the current quantity is not good, the light can be still working well in these countries and areas. Because our active PF control technique is used in the separated energy saving light for the constant voltage.

Perfect cooling system(Metal case, heat dissipation glue, structure patent(ZL200630018174.7)):

Special structur: The lampshade can effectively prevent lamp heat to the electron component via the reflex function.

Aluminium alloy case and heat dissipation glue embedment, which can effectively lower the tempertatur of the electron component.

Separated Structure(Ballast and lamp are detachable):

In the home, the average lifetime of lamp is 10,000 hours, our ballast lifetime is more 30,000 hours. You can replace the fault lamp for the same ballast. It will save much maintenance cost.





**GYL**  
Give You Light

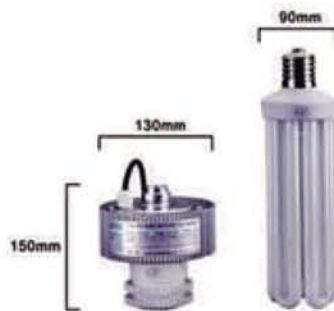
## Separated Ballast of Hight Power Energy Saving Light



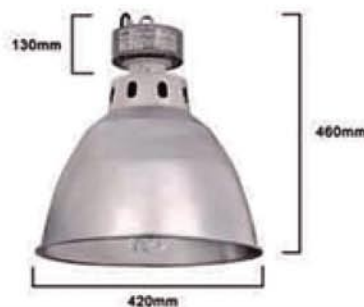
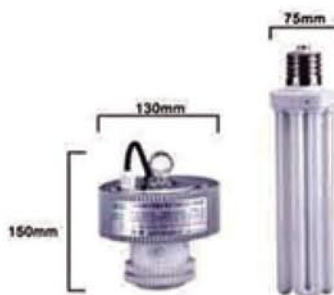
**SHX135W8U**  
**SHX150W8U**  
**SHX185W8U**  
**SHX200W8U**  
**SHX250W8U**



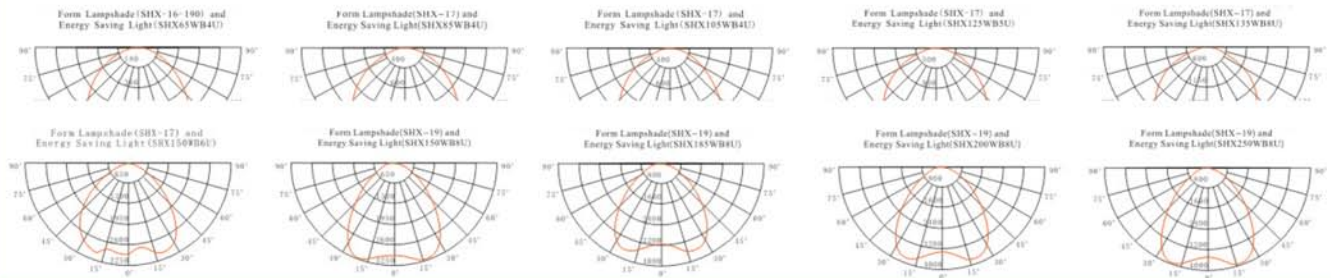
**SHX150W6U**



**SHX125W5U**



**SHX65W4U**  
**SHX85W4U**  
**SHX105W4U**

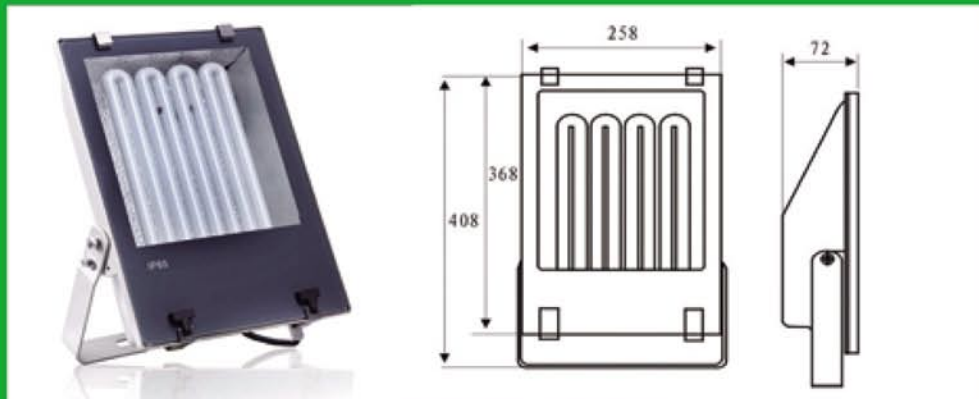


Model No.	Applicative Lampshade Model	Mounting Height	Effective Illuminate Area
SHX65WB4U	SHX-16-190	2.5-4M	9-16 m <sup>2</sup>
SHX85WB4U	SHX-17	3-6M	16-36 m <sup>2</sup>
SHX105WB4U	SHX-17	3-6M	16-36 m <sup>2</sup>
SHX125WB5U	SHX-17	5-6M	25-36 m <sup>2</sup>
	SHX-19	7-8M	25-36 m <sup>2</sup>
SHX150WB6U	SHX-17	5-6M	25-36 m <sup>2</sup>
	SHX-19	7-8M	25-36 m <sup>2</sup>
SHX135WB8U	SHX-17	6M	25-36 m <sup>2</sup>
	SHX-19	7-8M	36-49 m <sup>2</sup>
SHX150WB8U	SHX-17	6M	25-36 m <sup>2</sup>
	SHX-19	7-10M	36-49 m <sup>2</sup>
SHX185WB8U	SHX-17	6-7M	36-49 m <sup>2</sup>
	SHX-19	8-12M	36-64 m <sup>2</sup>
SHX200WB8U	SHX-19	8-14M	36-64 m <sup>2</sup>
SHX250WB8U	SHX-19	8-14M	36-64 m <sup>2</sup>
SHX265WB8U	SHX-19	8-14M	36-64 m <sup>2</sup>
SHX200WL	SHX-19	8-12M	36-64 m <sup>2</sup>
SHX200WL	SHX-19	10-15M	36-64 m <sup>2</sup>
SHX250WL	SHX-19	10-15M	36-64 m <sup>2</sup>



## Comparison of light source performance

Items	SHX CFL	Incandescent	Mercury Lamp	Metal Halide Lamp	HPS Lamp
Power Factor	0.99	1	0.6 ~ 0.9	0.4 ~ 0.55	0.44
Tradition Lumens (Lm/W)	80	15	40	105	110
Puil Lumens (PLm/W)	129	19	34	65	59
Tube Lifetime (h)	10000 ~ 12000	1000	4000 ~ 6000	6000 ~ 8000	6000 ~ 8000
Tube Temperature ( °C )	90 ~ 110	120 ~ 150	300 ~ 350	380 ~ 500	380 ~ 500
Ultraviolet Rays	No	Low	High	High	High
Ra	Ra > 80	Ra > 97	Ra < 40	Ra < 60	Ra < 25
Starting Time	2S	2S	4 ~ 8 mins	4 ~ 8 mins	4 ~ 8 mins
Second Start Time	Instant	Instant	5 ~ 10mins	5 ~ 10mins	5 ~ 10mins
Dazzle	Very low	Low	High	High	High
Flash Frequency	40KHz	50Hz	50Hz	50Hz	50Hz
Flash Depth	No stroboscopic effect	50% stroboscopic effect. 1.It is easy to make visual fatigue, cephalagra, lowerworking efficacy; 2.It is easy to make low exculpateexculpation	65% stroboscopic effect. 1.It is easy to make visual fatigue, cephalagra, lower working efficacy; 2. It is easy to make low exculpateexculpation	65% stroboscopic effect. 1.It is easy to make visual fatigue, cephalagra, lower working efficacy; 2. It is easy to make low exculpateexculpation	65% stroboscopic effect. 1.It is easy to make visual fatigue, cephalagra, lower working efficacy; 2. It is easy to make low exculpateexculpation



**SHX65WF**

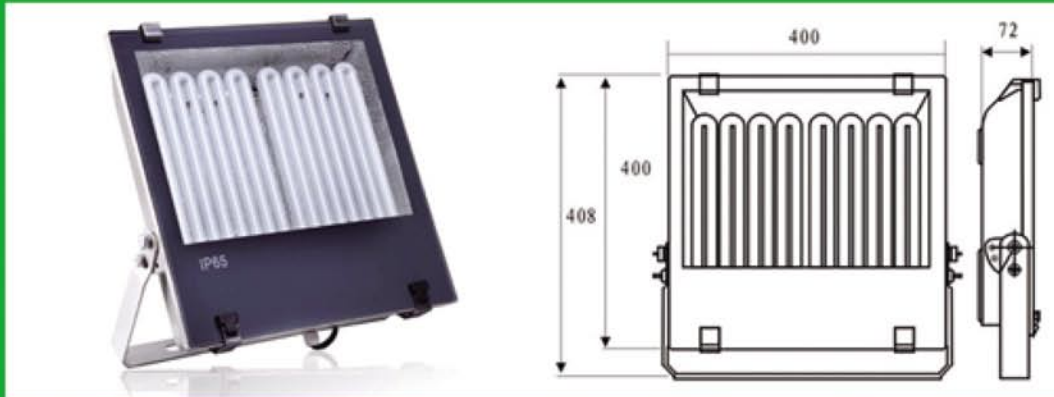
**Features:**

- 1, Raffinal baffle-board, High rate of reflecting light;
- 2, Thermostability and Anti-aging silicon seal ring, Protection class: IP 65;
- 3, Wide input voltage range: AC150-265V. works even if the Grid Votlage Fluctuating;
- 4, Programmed Preheating Technology, switch lifetime : more than 20,000 times;
- 5, Pecheating & Cut-off technology;
- 6, Reliable abnormal protection: Short-circuit, over voltage/current, lamp end of life, open circuit;
- 7, Pure tri-phosphor. Color-rendering index >80, vivid lighting;
- 8, Ballast lifetime is around 30,000 hrs. lamp lifetime is around 15,000 hrs.

**Technical Parameters:**

Model No.	Rated Power W	Rated Voltage V	Rated Current A	Power Factor $\lambda$	Luminous Flux Lm	Pupil Luminous Flux PLm	Optional Light Source (W)		
							Mercury Light	Metal halide Light	HPS Light
SHX65WF	65	AC220	0.3	<0.99	4550	6800	250	150	150

Applied range: Road light, landscape , Factory, Station, Advertisement etc.



**SHX150WF**

**Features:**

- 1, Raffinal baffle-board, High rate of reflecting light;
- 2, Thermostability and Anti-aging silicon seal ring, Protection class: IP 65;
- 3, Wide input voltage range: AC150-265V. works even if the Grid Voltlage Fluctuating;
- 4, Programmed Preheating Technology, switch lifetime : more than 20,000 times;
- 5, Pecheating & Cut-off technology;
- 6, Reliable abnormal protection: Short-circuit, over voltage/current, lamp end of life, open circuit;
- 7, Pure tri-phosphor. Color-rendering index >80, vivid lighting;
- 8, Ballast lifetime is around 30,000 hrs. lamp lifetime is around 15,000 hrs.

**Technical Parameters:**

Model No.	Rated Power W	Rated Voltage V	Rated Current A	Power Factor $\lambda$	Luminous Flux Lm	Pupil Luminous Flux PLm	Optional Light Source (W)		
							Mercury Light	Metal halide Light	HPS Light
SHX150WF	150	AC220	0.68	>0.99	11250	16900	450	400	400

Applied range: Road light, landscape , Factory, Station, Advertisement etc.



# LED Industrial Light

## Features

- 1, Wide input Voltage range: AC85-265V, working even Grid Fluctuating;
- 2, High lighting effect LED chipsets, patent design of capsulation technology. The max lighting effect can arrive to 120 lm/W;
- 3, Nitiate patent of heat sink and enclosure all in one design, it is better diffuse heart;
- 4, Preheat starting, avoid current pluse to damage LED;
- 5, PWM constant current flow source design, automatic protect the products from short circuit and other anomalous matters;
- 6, Defend class is up to IP65, class of insulation is CLASS 1;
- 7, Work environment temperature range is -40 to 50C;
- 8, EMC function



## Technical parameters:

Model No.	Rated Power	Rated Voltage	Rated Current	Power Factor	LED Luminous Efficiency	Color Rendering Index	Color Temperature	Lamp Beams Angle
	(W)	(V)	(A)	(λ)	(lm/W)	(Ra)	(K)	
SHX-GK40-30W	30	AC220	0.14	>0.95	120	≥80	2700~6500	40°
SHX-GK110-30W	30	AC220	0.14	>0.95	120	≥80	2700~6500	110°
SHX-GK40-50W	50	AC220	0.23	>0.95	120	≥80	2700~6500	40°
SHX-GK110-50W	50	AC220	0.23	>0.95	120	≥80	2700~6500	110°
SHX-GK40-60W	60	AC220	0.28	>0.95	120	≥80	2700~6500	40°
SHX-GK110-60W	60	AC220	0.28	>0.95	120	≥80	2700~6500	110°
SHX-GK40-80W	80	AC220	0.37	>0.95	120	≥80	2700~6500	40°
SHX-GK110-80W	80	AC220	0.37	>0.95	120	≥80	2700~6500	110°
SHX-GK40-100W	100	AC220	0.46	>0.95	120	≥80	2700~6500	40°
SHX-GK110-100W	100	AC220	0.46	>0.95	120	≥80	2700~6500	110°
SHX-GK40-120W	120	AC220	0.55	>0.95	120	≥80	2700~6500	40°
SHX-GK110-120W	120	AC220	0.55	>0.95	120	≥80	2700~6500	110°
SHX-GK60-200W	200	AC220	0.91	>0.95	120	≥80	2700~6500	60°
SHX-GK110-200W	200	AC220	0.91	>0.95	120	≥80	2700~6500	110°





# LED Industrial Light



## The illumination value of LED Industrial Light

Model No.	Lamp Beam Angle	Average Illuminance								
		2M	3M	4M	5M	6M	7M	8M	9M	10M
SHX-GK40-30W	40°	780Lx	345Lx	205Lx	129Lx					
SHX-GK110-30W	110°	239Lx	106Lx	59Lx	38Lx					
SHX-GK40-50W	40°	1338Lx	595Lx	335Lx	214Lx	148Lx				
SHX-GK110-50W	110°	492Lx	219Lx	123Lx	78Lx	55Lx				
SHX-GK40-60W	40°		647Lx	365Lx	233Lx	162Lx				
SHX-GK110-60W	110°		219Lx	123Lx	78Lx	55Lx				
SHX-GK40-80W	40°			481Lx	308Lx	214Lx	157Lx	120Lx		
SHX-GK110-80W	110°			158Lx	101Lx	70Lx	51Lx	39Lx		
SHX-GK40-100W	40°					189Lx	143Lx	111Lx	89Lx	73Lx
SHX-GK110-100W	110°					95Lx	69Lx	53Lx	42Lx	35Lx
SHX-GK40-120W	40°					296Lx	217Lx	166Lx	131Lx	106Lx
SHX-GK110-120W	110°					88Lx	65Lx	49Lx	39Lx	32Lx
SHX-GK60-200W	60°				651Lx	452Lx	332Lx	255Lx		
SHX-GK110-200W	110°				290Lx	202Lx	148Lx	113Lx		
Model No.	Lamp Beam Angle	Illuminance Area								
		2M	3M	4M	5M	6M	7M	8M	9M	10M
SHX-GK40-30W	40°	128cm	192cm	257cm	321cm					
SHX-GK110-30W	110°	562cm	844cm	1125cm	1476cm					
SHX-GK40-50W	40°	124cm	186cm	248cm	310cm	372cm				
SHX-GK110-50W	110°	530cm	795cm	1060cm	1325cm	1590cm				
SHX-GK40-60W	40°		194cm	258cm	323cm	388cm				
SHX-GK110-60W	110°		795cm	1060cm	1325cm	1590cm				
SHX-GK40-80W	40°			665cm	831cm	998cm	1164cm	1330cm		
SHX-GK110-80W	110°			1142cm	1428cm	1713cm	1999cm	2285cm		
SHX-GK40-100W	40°					1006cm	1173cm	1341cm	1509cm	1575cm
SHX-GK110-100W	110°					2271cm	2650cm	3028cm	3407cm	3786cm
SHX-GK40-120W	40°					483cm	564cm	644cm	725cm	806cm
SHX-GK110-120W	110°					1822cm	2126cm	2430cm	2733cm	3037cm
SHX-GK60-200W	60°				618cm	741cm	865cm	989cm		
SHX-GK110-200W	110°				1341cm	1609cm	1877cm	2146cm		



## Explosion Proof Fluorescent Fitting ( II B)



BPY06 Flameproof Explosion Proof Fluorescent Fitting ( II B)

### Technical Specification

Compliance with: GB 3836.1, GB 3836.2, IEC60079-0, IEC60079-1. Explosion protection: ExdIIBT6  
Rated voltage: AC 220V. Lampholder: G13, Tubes: T8 Bi-pin fluorescent tubes (2×36W)  
Ingress protection: IP65, Corrosion resistance: WF1  
Cable entries specification: G1/2 Cable's outer diameter: Φ6mm~Φ10mm



BPY Flameproof Explosion Proof Fluorescent Fitting ( II B)

### Technical Specification

Compliance with: GB 3836.1, GB 3836.2, IEC60079-0, IEC60079-1. Explosion protection: ExdIIBT6  
Rated voltage: AC 220V, Lamp options: T8 Bi-pin tubes (1×20W, 2×20W, 1×30W, 2×30W, 1×40W, 2×40W)  
Ingress protection IP54 \*IP65, Corrosion resistance: WF1  
Cable entries specification: G1/2" Cable's outer diameter: Φ6mm~Φ10mm



BYS Explosion Proof Corrosion Resistance Polyester Fluorescent Fitting ( II C, DIP)

### Technical Specification of Polycarbonate Alloy Enclosure Fixture

Compliance with GB 3836.1, GB 3836.2, GB 3836.3, GB 3836.9, GB 12476.1, IEC60079-0, IEC60079-1, IEC60079-7, IEC60079-18, IEC61241-1-1 Explosion protection: Exedmb II CT4/DIPA20TA, T6 Rated voltage: AC 220V,  
Tube options: T8 Bi-pin fluorescent tube (1×36W, 2×36W) T5 Bi-pin fluorescent tube (1×28W, 2×28W)  
Ingress protection: IP66 Corrosion resistance: WF2  
Cable entries specification: 3-G3/4 Cable's outer diameter: Φ9mm~Φ14mm



BHY Explosion Proof Front Access Fluorescent Fitting ( II C)

### Technical Specification

Compliance with: GB 3836.1, GB 3836.2, GB 3836.3, IEC60079-0, IEC60079-1, IEC60079-7  
Explosion protection: ExedICT5. Rated voltage: AC 220V  
Tube options: T10 single-pin instant start tube (1×20W, 2×20W, 1×40W, 2×40W),  
T8 Bi-pin tube (1×18W, 2×18W, 1×36W, 2×36W), T5 Bi-pin tube (1×14W, 2×14W, 1×28W, 2×28W)  
Ingress Protection: IP65 Corrosion Resistance: WF1 \*WF2  
Cable entries specification: G3/4 Cable's outer diameter: Φ9mm~Φ14mm



CCd96 Explosion Proof Maintenance Free Light

### Technical Specification

Compliance with: GB 3836.1, GB 3836.2, GB 3836.3, IEC60079-0, IEC60079-1, IEC 60079-7 Explosion protection: ExdeICT6 Rated voltage: AC 90~270V / AC 176~264V  
Lamp options: LED 15W, circular fluorescent 22W, 40W Ingress protection: IP66  
Corrosion resistance: WF1  
Cable entries specification: G3/4" Cable outer diameter: Φ9mm~Φ14mm



# Explosion Proof Lighting Fixture



CBZ Explosion Proof Aviation  
Obstruction Light (II C, DIP)

## Technical Specification

Compliance with: GB 3836.1, GB 3836.2, GB 3836.3, GB 12476.1, IEC60079-0, IEC60079-1, IEC60079-7, GB 61241-1-1 Explosion protection: ExdeIICT6, DIP A20 TA, T6 Lamp: LED Rated power: 10  
Lighting color: red Rated voltage: AC220V. Ingress protection: IP65 Corrosion resistance: WF1  
Cable entries specification: 2-G3/4 Strobe frequency: 16~240 times /min



BJD96 Explosion Proof  
Alarm Lighting (II C)

## Technical Specification

Compliance with: GB 3836.1, GB 3836.2, GB 3836.3, IEC60079-0, IEC60079-1, IEC60079-7  
Explosion protection: ExdeIICT6, Rated voltage: AC 36/110/220V, DC 12/24/36V  
Light sources: LED Rated power: ≤2.5W Strobe frequency: 150/min Ingress protection: IP66  
Corrosion resistance: WF1 Cable entry specification: G1/2", G3/4" (pendant type 3)  
Cable's outer diameter: Φ6mm~Φ10mm, Φ9mm~Φ14mm (pendant type 3)



BTd92 Explosion Proof  
Floodlight (II B, II C)

## Technical Specification

Compliance with: GB 3836.1, GB 3836.2, IEC60079-0, IEC60079-1. Explosion Protection: ExdIIIBT3, ExdIICT3, ExdIIIBT2 Rated Voltage: AC 220V Lampholder: E40  
Lamp Options: N150, N250, N400, N1000, L250, L400, L1000 Ingress Protection: IP66, IP55  
Corrosion Resistance: WF1 Cable entries specification: G3/4 Cable's outer diameter: Φ9mm~Φ14mm



BFd91 Explosion Proof  
Flood Light (II B)

## Technical Specification

Compliance with: GB 3836.1, GB 3836.2, IEC60079-0, IEC60079-1 Explosion protection: ExdIIIBT4/T3  
Rated voltage: AC 220V Lampholder: E40 Lamp options: N150, N250, N400, L250, L400  
Ingress protection: IP66 Corrosion resistance: WF1  
Cable entries specification: G3/4 Cable's outer diameter: Φ9mm~Φ14mm



# Marine Explosion Proof Lighting Fixture



CFY21-2  
CFY41-2 **Explosion Proof Fluorescent Pendant Light**

**The scope of application:**

Applied to ship oil exploit platform, chemical product and explosiv gas place zone1 or zone 2.

**Products characteristic:**

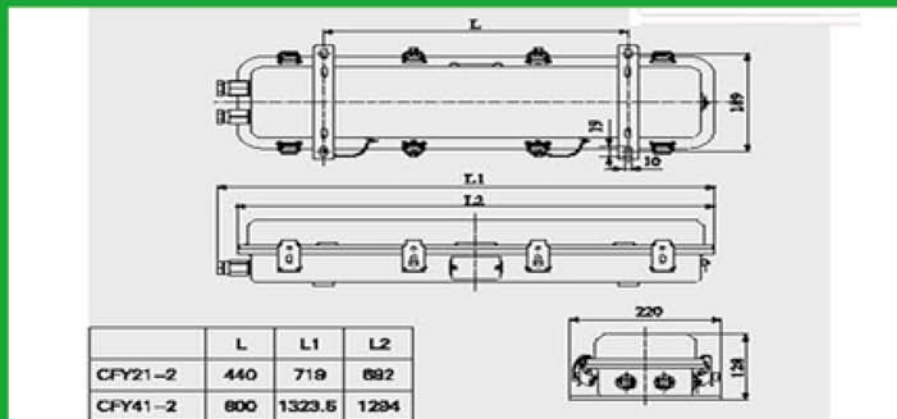
1. The shell is made of good quality steel, the lampshade is good quality transparence PC.
2. Integral type clip, high protection grade.
3. The light adopt rapid ex-proof electronic ballast, with good starter effect.
4. Ex-proof lamp holder Fa6
5. Flameproof type, increased safety type and cementing type structure.

**Adopt standard:**

conform to international IEC standard, GB19510.4, GB3836 AND GB12045 standard relative requirement.

**Specification:**

Type	Explosionproof mark	Voltage	Power	holder	Cable outside diameter	Protection class	Weight
CFY21-2	Exemd II C T5	220V/50Hz	2*20W	Fa6	φ 10-φ 12.5	IP56	5.5kg
CFY41-2		220V/60Hz	2*40W				110V/60Hz

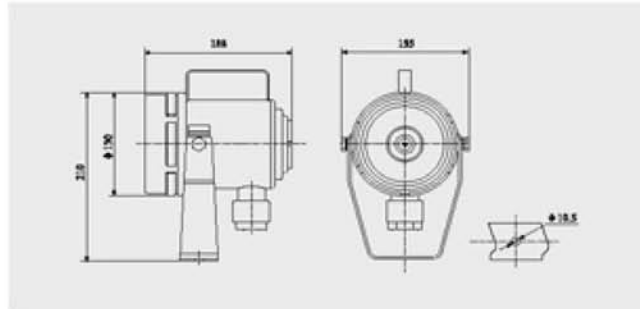




# Marine Explosion Proof Lighting Fixture



## CFT5EX-PROOF UNDERWATER LIGHT



**The scope of application:**

Applied to illumination of explosive gas place Zone 1 or zone 2 explosive air mixture, IIA,IIB as underwater illumination, water deep ≤3M

**Adopt standard:** GB3836.1~3, GB12045.

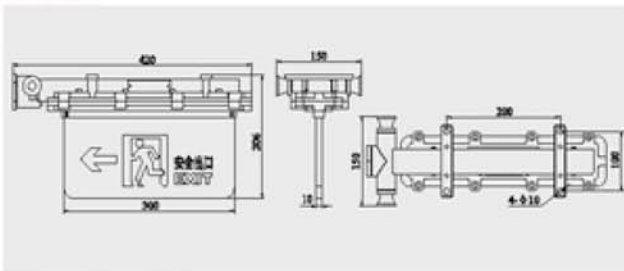
**Product characteristic:**

1. The shell and outside tighten screw is made of stainless steel material
2. The lampshade adopts toughened glass, it has good machinery and chemical function.
3. The light source is cold reflection orient halogen light (electric box will be matched separately according to customer requirement)

**Specification:**

Type	Explosionproof mark	Power	Lamp holder	Voltage	Cable outside diameter	Protection class	Weight
CFT5	ExdIBT4	50W	G6.3	220V/12V	φ11-φ13	IP68	5kg

## CFB1EX-PROOF INDICATOR LIGHT



**Products characteristic:**

1. The shell adopts good quality cast aluminium,good quality toughened glass lampshade, synthetic glass marking plate, excellent transparent property
2. The lamp body adopts seal structure,has high waterproof property and anti-corrosive property
3. Ex-proof cavity 480cm<sup>3</sup><500cm<sup>3</sup>, it is the smallest one in the market now, it has good safety-property.
4. Conform to GRADE ENTRY NORMS FOR STEEL SHIPS, and GB3836, GB12045.

**Specification:**

Explosionproof mark	Power	illuminant	color	Voltage	Cable outside diameter	Protection class	Weight
Exde II CTB	2W	LED	green	AC220V 50Hz	φ11-φ13	IP68	3.4kg

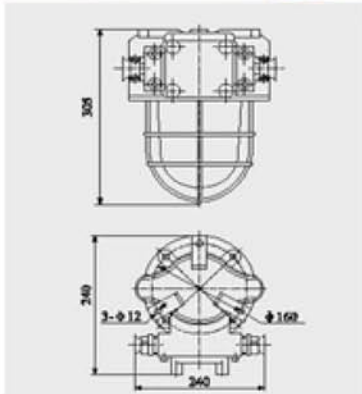


# Marine Explosion Proof Lighting Fixture

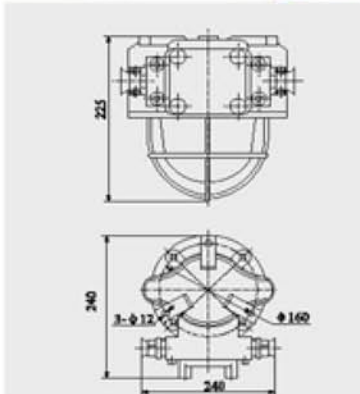


## CFD2、CFD3白炽防爆灯 INCANDESCENT EXPLOSION-PROOF LIGHT

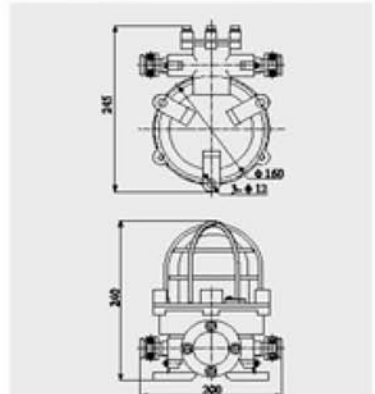
CFD2 explosion-proof light



CFD3 explosion-proof light



CFD3-I 防爆灯 explosion-proof light  
专利号 patent No.: ZL2009 2019 9524.2



### The scope of application:

It can be used safely and reliably in the place with explosive air mixture, with explosive material II A, II B. The temperature group is T1 - T4 in cabin and outdoor place.

### Products characteristic

1. The shell is made of good quality brass foundry, toughened glass lamp-shade, with brass guard.
2. The gland has two kind, one is tube screw type, screw is G3/4; Another one is bugle-type.

### Production authentication:

1. Passed the examination of National Explosion-proof Safety Supervisory and Inspection station for Luminaire.
2. Approved by CCS(China Classification Society).

**Adopt standard:** Conform to National standard GB3836, GB12045 THE TECHNICAL CONDITION OF MARINE EXPLOSION-PROOF LIGHT.

### Specification:

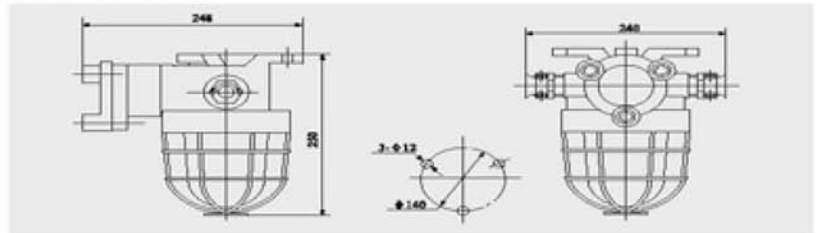
Type	Explosion-proof Mark	Voltage	Power	Illuminant	Lamp Holder	Cable outside Diameter	Protection Class	Material	重量 Weight
CFD2a	Exd II B T3	220V	200W	Incandescent lamp	E27	φ11-φ13	IP55	brass	19kg
CFD2b	Exd II B T3	220V	125W	self-ballast high-pressure mercury lamp	E27	φ11-φ13	IP55	brass	19kg
CFD3	Exd II B T4	24V	25W	Incandescent lamp	E27	φ11-φ13	IP55	brass	13.5kg
		110V	40W/60W						
		220V	40W/60W/100W						
CFD3-I	Exd II C T4	24V	25W	Incandescent lamp	E27	φ11-φ13	IP55	brass	8.5kg
		110V	40W/60W						
		220V	40W/60W/100W						



# Marine Explosion Proof Lighting Fixture



## CFD4 INCANDESCENT EXPLOSION-PROOF LIGHT



**The scope of application:**

Applied to the illumination in 1-2 zone dangerous places of hydric gas and air admixture, ethyne and air admixture and other flammable gas admixture.

**Products characteristic:**

1. The shell is made of good quality brass foundry, toughened glass lamps-hede, with brass guard.
2. The gland has two kind, one is tube screw type, screw is G3/4. Another one is bugle-type.

**Production authentication:**

1. Passed the examination of National Explosion-proof Safety Supervisal and Inspection station for Luminaire.
2. Approved by CCS(China Classification Society).

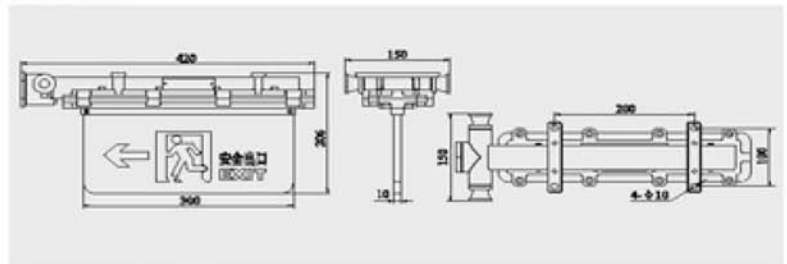
**Adopt standard:**

Conform to National standard GB3836, GB12045 THE TECHNICAL CONDITION OF MARINE EXPLOSION-PROOF LIGHT.

**Specification:**

Type	Explosionproof mark	Voltage	Power	illuminant	Lamp holder	Cable outside diameter	Protection class	Material	Weight
CFD4a	Exd II C T4	24V-220V	60W	白炽灯Incandescent lamp	E27	φ 11-φ 13	IP66	黄brass	13kg
CFD4b	Exd II C T6	24V-220V	25W	白炽灯Incandescent lamp	E27	φ 11-φ 13	IP66	黄brass	13kg
CFD4c	Exd II C T3	220V	100W	白炽灯Incandescent lamp	E27	φ 11-φ 13	IP66	黄brass	13kg

## CFB1EX-PROOF INDICATOR LIGHT



**Products characteristic:**

1. The shell adopts good quality cast aluminium,good quality toughened glass lampshade, synthetic glass marking plate, excellent transparent property
2. The lamp body adopts seal structure,has high waterproof property and anti-corrosive property
3. Ex-proof cavity  $480\text{cm}^3 < 500\text{cm}^3$ , it is the smallest one in the market now, it has good safety-property.
4. Conform to GRADE ENTRY NORMS FOR STEEL SHIPS, and GB3836, GB12045.

**Specification:**

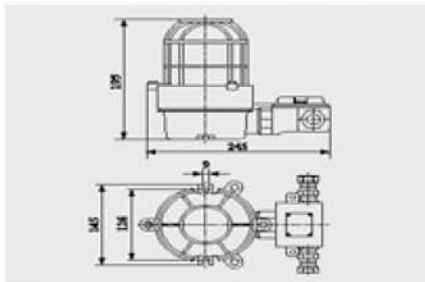
Explosionproof mark	Power	illuminant	color	Voltage	Cable outside diameter	Protection class	Weight
Exde II CT6	2W	LED	green	AC220V 50Hz	φ 11-φ 13	IP66	3.4kg



# Marine Explosion Proof Lighting Fixture



## CFD11 EX-PROOF BOUNDARY LIGHT



### The scope of application:

The light used for zone 1, zone 2 dangerous place, explosive air mixture: IIA, IIB, as the illumination of platform boundary light and vessel deck.

**Adopt standard:** GB3836.1, GB12045

### Product characteristic:

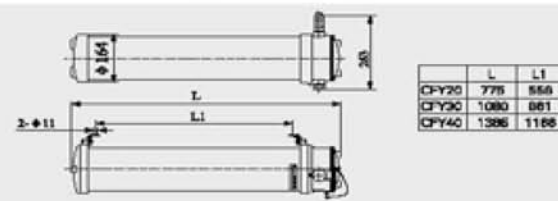
1. The shell adopt good quality cast brass alloy material, with spraying plastics on surface
2. The outside tighten screw is stainless steel material.
3. The lampshade has the function of temperature resistance shake up.
4. Light source: energy saving, incandescent lamp, LED
5. The light emitting color: red, yellow, blue
6. The light can flashing ( it need instruction when order)

### Specification:

防爆标志 Explosionproof mark	Power	visible	Lamp holder	Cable outside diameter	Protection class	Weight
ExdII BT5	energy saving, incandescent light, 10W-100W LED, 1W-10W	3mm ( Yellow, red ) 1 R.M ( Blue )	energy saving lamp, incandescent lamp E27	φ 11-φ 13	IP66	5kg

## EXPLOSION-PROOF FLUORESCENT LIGHT

patent No.: ZL2003 3012 1971.4



### Product characteristic:

1. The shell adopts good quality stainless steel, good quality PC lampshade, with two glands, adopt fluorescent lamp.
2. The light adopts hang-type installation, and it is convenient to replace the light-tube ect
3. The lamp body adopts seal structure, has high waterproof performance and anticorrosion performance.
4. Conform to GRADE ENTRY NORMS FOR STEEL SHIPS and national standard GB3836, GB12045, EN50014, EN50018, EN60079. .

### Specifications:

Model	Explosion-proof mark	Voltage	Power	Lamp holder	Cable outside diameter	Protection class	Weight
CFY20-2	Exd II CT6	220V/50Hz 220V/60Hz 110V/60Hz	2 × 20W	G13	φ 13-φ 14	IP66	11.5kg
CFY20-1			1 × 20W				
CFY30-2			2 × 30W				
CFY30-1			1 × 30W				13.5kg
CFY40-2			2 × 40W				
CFY40-1			1 × 40W				