



FLAMEPROOF EXPLOSION PROOF FLUORESCENT FITTING (IIB)

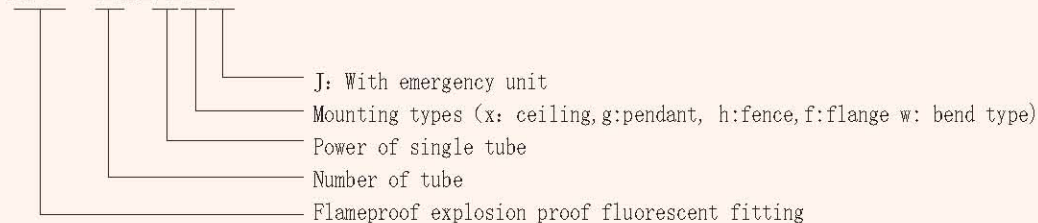


Application

- ◆ Designed for
explosive atmosphere Zone 1 Zone 2.
- ◆ Designed for
Groups II A, II B
Temperature classes T1 ~T6.
- ◆ T8 Bi-pin tube as lighting sources.
- ◆ Designed for petroleum exploitation, refinery, storage, chemistry, medicine, military and military facilities etc. sites with potential explosive atmosphere.

Model Code

BPY - □X□□□



Selection Table

Model	Tube	Power (W)	Luminous Flux (lm)	Ballast Types	Lampholder	Explosion Protection	Ingress Protection
BPY-1x20	T8 Bi pin fluorescent tube	20	1000	Electromagnetic	G13	ExdIIBT6	IP54 *IP65
BPY-2x20		40	2000				
BPY-1x30		30	1830				
BPY-2x30		60	3660				
BPY-1x40		40	2500				
BPY-2x40		80	5000				

Ordering References

- ◆ The fitting including tube inside when delivery. ◆ Power factor compensation capacitor is available as per request.
- ◆ Only one tube works under emergency conditions.
- ◆ Ingress protection Ip65 is available as per request.



FLAMEPROOF EXPLOSION PROOF FLUORESCENT FITTING (IIB)

Features

- ◆ Enclosure is die casted of aluminium alloy, high voltage electrostatic powder coated after shot blasted.
- ◆ High strength toughened glass cover.
- ◆ Exposed fasteners are of stainless steel.
- ◆ Lighting fitting with grids to adjust lighting effect and reduce the glare.
- ◆ Use named brand tubes with features of long service life and high lighting effect.
- ◆ Modular plug structure design, only need disconnect end cover draw out core to change tubes.
- ◆ For fittings with emergency unit, it will automatically shaft to emergency lighting when power circuit failed.
- ◆ Special over charging and over discharging protection circuit inside the emergency unit.
- ◆ Power factor can be over 0.95 after install power factor compensation capacitors.
- ◆ Steel conduit or cable wirings.

Technical Specification

Compliance with: GB 3836.1, GB 3836.2, IEC60079-0, IEC60079-1

Explosion protection: Exd IIBT6

Rated voltage: AC 220V

Lamp options : T8 Bi-pin tubes (1X20W, 2X20W, 1X30W, 2X30W, 1X40W, 2X40W)

Ingress protection IP54 *IP65

Corrosion resistance: WF1

Cable entries specification: G1/2 "

Cable' s outer diameter: $\Phi 6\text{mm} \sim \Phi 10\text{mm}$

Battery charging time: $\leq 24\text{h}$

Emergency start time: $\leq 0.3\text{s}$

Emergency lighting duration: $\geq 90\text{min}$

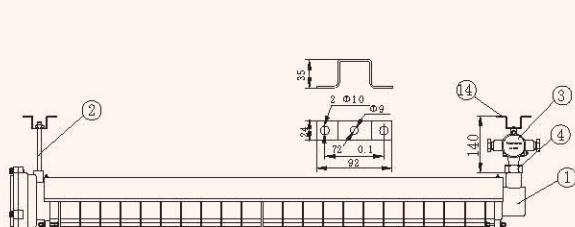
Structure Dimensions and Photometry

Lamp type	BPY																																
Dimensions		<table border="1"> <thead> <tr> <th>Model</th> <th>L1</th> <th>L2</th> <th>W</th> </tr> </thead> <tbody> <tr> <td>BPY 1X20</td> <td>706</td> <td>626</td> <td>145</td> </tr> <tr> <td>BPY 2X20</td> <td>706</td> <td>626</td> <td>210</td> </tr> <tr> <td>BPY 1X30</td> <td>1012</td> <td>932</td> <td>145</td> </tr> <tr> <td>BPY 2X30</td> <td>1012</td> <td>932</td> <td>210</td> </tr> <tr> <td>BPY 1X40</td> <td>1316</td> <td>1236</td> <td>145</td> </tr> <tr> <td>BPY 2X40</td> <td>1316</td> <td>1236</td> <td>210</td> </tr> </tbody> </table>	Model	L1	L2	W	BPY 1X20	706	626	145	BPY 2X20	706	626	210	BPY 1X30	1012	932	145	BPY 2X30	1012	932	210	BPY 1X40	1316	1236	145	BPY 2X40	1316	1236	210			
		Model	L1	L2	W																												
BPY 1X20	706	626	145																														
BPY 2X20	706	626	210																														
BPY 1X30	1012	932	145																														
BPY 2X30	1012	932	210																														
BPY 1X40	1316	1236	145																														
BPY 2X40	1316	1236	210																														
Photometric curve cd/1000lm																																	

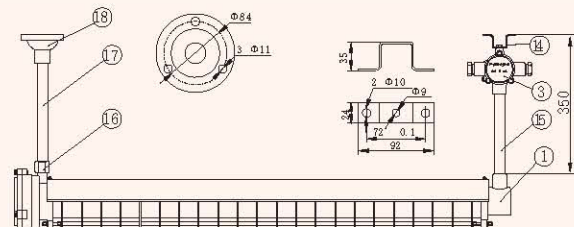


FLAMEPROOF EXPLOSION PROOF FLUORESCENT FITTING (IIB)

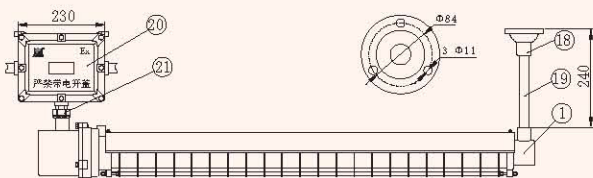
Mounting Methods and Dimensions



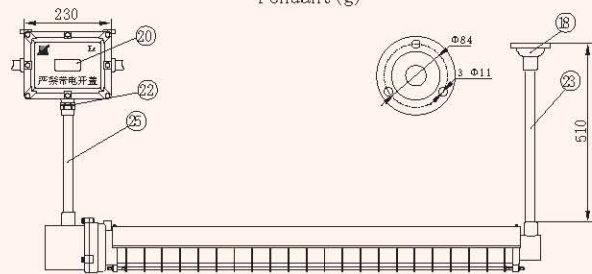
Ceiling(x)



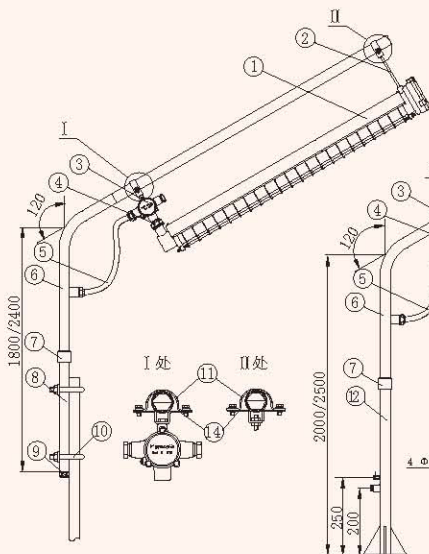
Pendant (g)



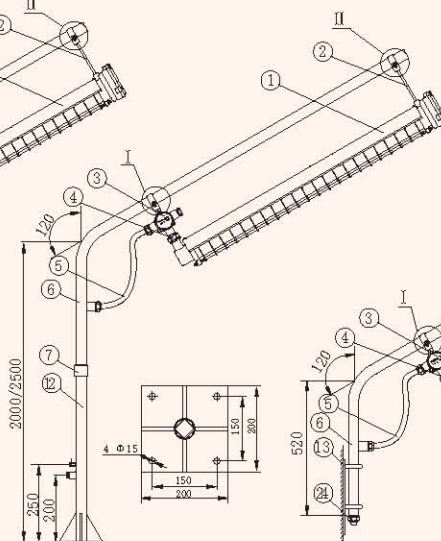
Ceiling(x)-with emergency unit



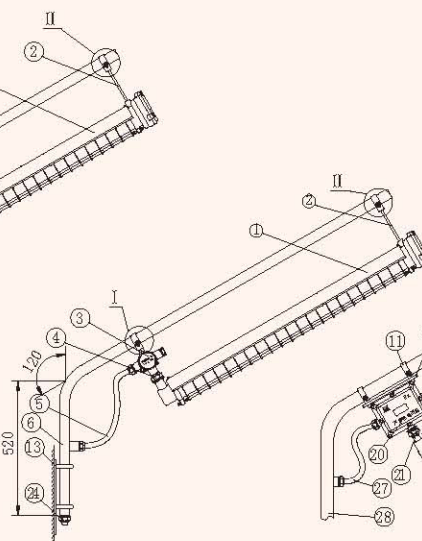
Pendant (g)-with emergency unit



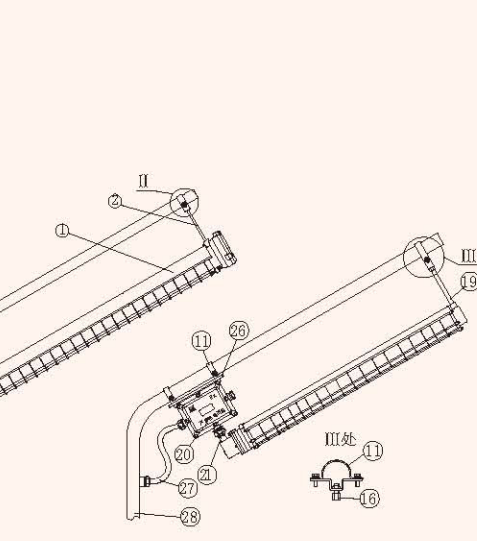
Fence (h)



Flange (f)



Bend (w)



Fence(h), Flange(f), bend (w)-with emergency unit

No.	Description	Remark	No.	Description	Remark
1	BPY Exd explosion proof fluorescent		15	Steel pipe G1/2X240mm	
2	Stud M8x155mm		16	Connecting screw G1/2Female M8 Male	
3	Special junction box for Exd Ex fluorescent		17	Steel pipe G1/2X300mm	
4	Explosion proof connector BGJ-G1/2C		18	Sucler G1/2	
5	Flexible conduit NG3 15X700C(G3/4MGI/2M) or cable	Equipped by user	19	Stel pipe G1/2X230mm	
6	Bend rod G1 ¹ / ₄		20	Emergency unit	
7	Connector		21	Explosion proof connector BHJ-G3/4C	Equipped by user
8	Fence rod G1 ¹ / ₂		22	Explosion proof connector BHJ-G3/4B	Equipped by user
9	Explosion proof connector BHJ-C(G1 ¹ / ₂ male G3/4 male)	Equipped by user	23	Steel pipe p G1/2X500mm	
10	U clamp	Equipped by user	24	Explosion proof connector BHJ C(G1/maleC3/4 male)	Equipped by user
11	Clamp G1 ¹ / ₄		25	Steel pipe o G3/4X300mm	
12	Flange pole G1 ¹ / ₂		26	Mounting plate	
13	Retaining plate	Equipped by user	27	Explosion proof flexible conduit NGd-20X700C or cable	Equipped by user
14	Mounting bracket		28	Bend mode G1 ¹ / ₄ (with emergency unit.)	